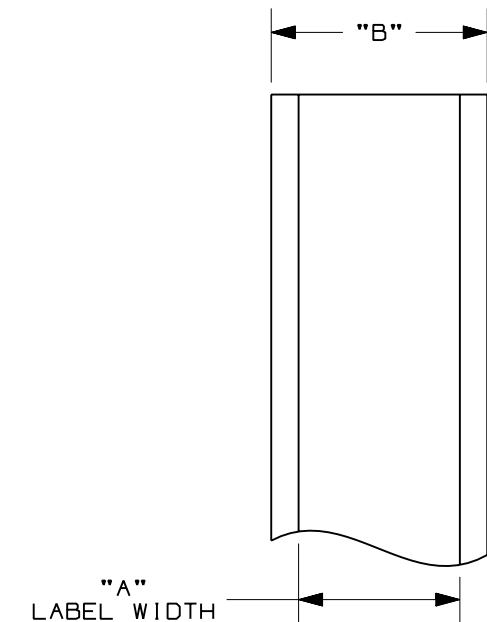
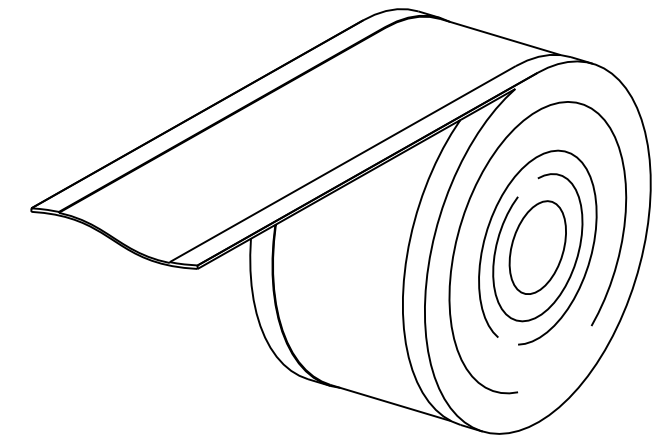


THIS COPY IS PROVIDED ON A RESTRICTED BASIS AND IS NOT TO BE USED IN ANY WAY DETRIMENTAL TO THE INTERESTS OF PANDUIT CORP.

PART NO.	LABEL "A"	LINER WIDTH "B"	COLOR	MATERIAL	ROLL LENGTH
T024X000FJC-BK	0.236 ( 5.99 )	0.63 ( 16.00 )	WHITE	GMPO	300.0" +10.0"/-0.0" ( 7620 mm +254 mm/ -0.0 mm )
T031X000FJC-BK	0.310 ( 7.87 )	0.63 ( 16.00 )	WHITE	GMPO	300.0" +10.0"/-0.0" ( 7620 mm +254 mm/ -0.0 mm )
T038X000FJC-BK	0.380 ( 9.65 )	0.63 ( 16.00 )	WHITE	GMPO	300.0" +10.0"/-0.0" ( 7620 mm +254 mm/ -0.0 mm )
T038X000VPC-BK	0.380 ( 9.65 )	0.63 ( 16.00 )	WHITE	GMV14	300.0" +10.0"/-0.0" ( 7620 mm +254 mm/ -0.0 mm )
T038X000YKC-BK	0.380 ( 9.65 )	0.63 ( 16.00 )	CLEAR	GMV4-C	300.0" +10.0"/-0.0" ( 7620 mm +254 mm/ -0.0 mm )
T038X000VYC-WH	0.380 ( 9.65 )	0.63 ( 16.00 )	BLACK	GMV14	300.0" +10.0"/-0.0" ( 7620 mm +254 mm/ -0.0 mm )
T050X000VPC-BK	0.500 ( 12.70 )	0.85 ( 21.59 )	WHITE	GMV14	300.0" +10.0"/-0.0" ( 7620 mm +254 mm/ -0.0 mm )
T050X000YKC-BK	0.500 ( 12.70 )	0.85 ( 21.59 )	CLEAR	GMV4-C	300.0" +10.0"/-0.0" ( 7620 mm +254 mm/ -0.0 mm )
T050X000VXC-BK	0.500 ( 12.70 )	0.85 ( 21.59 )	YELLOW	GMV14	300.0" +10.0"/-0.0" ( 7620 mm +254 mm/ -0.0 mm )
T050X000VUC-BK	0.500 ( 12.70 )	0.85 ( 21.59 )	ORANGE	GMV14	300.0" +10.0"/-0.0" ( 7620 mm +254 mm/ -0.0 mm )
T050X000VWC-BK	0.500 ( 12.70 )	0.85 ( 21.59 )	RED	GMV14	300.0" +10.0"/-0.0" ( 7620 mm +254 mm/ -0.0 mm )
T050X000VSC-BK	0.500 ( 12.70 )	0.85 ( 21.59 )	GREEN	GMV14	300.0" +10.0"/-0.0" ( 7620 mm +254 mm/ -0.0 mm )
T050X000VOC-BK	0.500 ( 12.70 )	0.85 ( 21.59 )	BLUE	GMV14	300.0" +10.0"/-0.0" ( 7620 mm +254 mm/ -0.0 mm )
T050X000VYC-WH	0.500 ( 12.70 )	0.85 ( 21.59 )	BLACK	GMV14	300.0" +10.0"/-0.0" ( 7620 mm +254 mm/ -0.0 mm )
T075X000VPC-BK	0.750 ( 19.05 )	1.13 ( 28.70 )	WHITE	GMV14	300.0" +10.0"/-0.0" ( 7620 mm +254 mm/ -0.0 mm )
T075X000YKC-BK	0.750 ( 19.05 )	1.13 ( 28.70 )	CLEAR	GMV4-C	300.0" +10.0"/-0.0" ( 7620 mm +254 mm/ -0.0 mm )
T100X000VPC-BK	1.000 ( 25.40 )	1.13 ( 28.70 )	WHITE	GMV14	300.0" +10.0"/-0.0" ( 7620 mm +254 mm/ -0.0 mm )
T100X000YKC-BK	1.000 ( 25.40 )	1.13 ( 28.70 )	CLEAR	GMV4-C	300.0" +10.0"/-0.0" ( 7620 mm +254 mm/ -0.0 mm )
T100X000VXC-BK	1.000 ( 25.40 )	1.13 ( 28.70 )	YELLOW	GMV14	300.0" +10.0"/-0.0" ( 7620 mm +254 mm/ -0.0 mm )
T100X000VUC-BK	1.000 ( 25.40 )	1.13 ( 28.70 )	ORANGE	GMV14	300.0" +10.0"/-0.0" ( 7620 mm +254 mm/ -0.0 mm )
T100X000VWC-BK	1.000 ( 25.40 )	1.13 ( 28.70 )	RED	GMV14	300.0" +10.0"/-0.0" ( 7620 mm +254 mm/ -0.0 mm )
T100X000VSC-BK	1.000 ( 25.40 )	1.13 ( 28.70 )	GREEN	GMV14	300.0" +10.0"/-0.0" ( 7620 mm +254 mm/ -0.0 mm )
T100X000VOC-BK	1.000 ( 25.40 )	1.13 ( 28.70 )	BLUE	GMV14	300.0" +10.0"/-0.0" ( 7620 mm +254 mm/ -0.0 mm )
T100X000VYC-WH	1.000 ( 25.40 )	1.13 ( 28.70 )	BLACK	GMV14	300.0" +10.0"/-0.0" ( 7620 mm +254 mm/ -0.0 mm )
T100X000VXC-WH	1.000 ( 25.40 )	1.13 ( 28.70 )	YELLOW	GMV14	300.0" +10.0"/-0.0" ( 7620 mm +254 mm/ -0.0 mm )
T100X000VUC-WH	1.000 ( 25.40 )	1.13 ( 28.70 )	ORANGE	GMV14	300.0" +10.0"/-0.0" ( 7620 mm +254 mm/ -0.0 mm )
T100X000VWC-WH	1.000 ( 25.40 )	1.13 ( 28.70 )	RED	GMV14	300.0" +10.0"/-0.0" ( 7620 mm +254 mm/ -0.0 mm )
T100X000VSC-WH	1.000 ( 25.40 )	1.13 ( 28.70 )	GREEN	GMV14	300.0" +10.0"/-0.0" ( 7620 mm +254 mm/ -0.0 mm )
T100X000VOC-WH	1.000 ( 25.40 )	1.13 ( 28.70 )	BLUE	GMV14	300.0" +10.0"/-0.0" ( 7620 mm +254 mm/ -0.0 mm )



NOTE:

1. SEE MFG. DWG. NO. A61302.
2. DIMENSIONS IN [ ] ARE IN MILLIMETERS.

CAD FILENAME/LAYERS   100743LY_C10411_TxxxX000xxx_00.prt										
<h1>PANDUIT</h1> <p>CORP TINLEY PARK, ILLINOIS</p> <p>CUSTOMER DRAWING LS8 CONTINUOUS TAPE T***X000***</p>										
UNLESS OTHERWISE SPECIFIED, DIMENSIONAL TOLERANCES ARE: (.X) ± (.XXX) ± .015 (.XX) ± .030 ANGLES ±					UNLESS OTHERWISE SPECIFIED, ALL DIMENSIONS ARE GIVEN IN INCHES, THIRD ANGLE PROJECTION					
DRAWN BY RVU			MAT'L: SEE TABLE.			SCALE NTS				
A	5-11-06	RVU	DRAWING RELEASE			4503	R	DATE 5-11-06	DRAWING NO. C10411	DWG B SIZE
REV	DATE	BY	CHK	DESCRIPTION	ECN	R	CUST	SUP	CHK'D	